



Kurv-Bak™

Hard Rubber Back-up Rings



Precision Associates, Inc.
3800 N. Washington Ave.
Minneapolis, MN 55412

Phone: (612) 333-7464
Fax: (612) 342-2417
Toll: (800) 394-6590

www.PrecisionAssoc.com



Kurv-Bak™

Hard Rubber
Back-up Rings



Back-up Rings are used for one of two purposes. Higher pressures may be sealed by using back-up rings with standard, or tightened, manufacturing tolerances. Alternately, tolerances may be loosened in low pressure applications by using back-ups. Kurv-Bak™ back-up rings may be used in static and dynamic sealing applications.

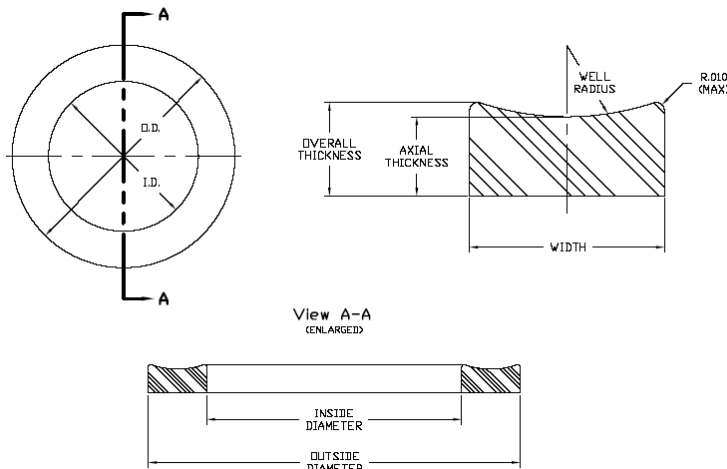
Precision Associates' hard rubber molded contoured Back-Ups are routinely produced in our 90 durometer Nitrile Compound 5939. This provides sufficient elasticity to permit stretching over the major diameter of a piston and then snap back into the gland of the piston. Compound 5939 has sufficient hardness to resist extrusion of the softer elastomeric O-Ring performing the actual sealing function. You can order Kurv-Baks™ in special materials too! We regularly mold them in Fluoroelastomer, EPDM, Aflas® & HNBR.

Many customary standard sizes are available. Also, subject to reasonable lead-time for the necessary mold construction, we can manufacture many other additional sizes to meet your needs.

The tables on the following pages contain sizes on which we are already tooled. Numbers to the right of the hyphen correspond to AS-568 O-Ring dash numbers. Please contact us for additional sizes.

Kurv-Bak™ Design Dimensions

| Series | Nominal Size | Well Radius | Overall Thickness | Axial Thickness | Width |
|---------|--------------|-------------|-------------------|-----------------|------------|
| 888-0XX | 1/16 | .087 ± .010 | .049 | .045 ±.003 | .053 ±.003 |
| 888-1XX | 3/32 | .129 ± .010 | .053 | .045 ±.003 | .086 ±.003 |
| 888-2XX | 1/8 | .174 ± .010 | .050 | .040 ±.003 | .118 ±.004 |
| 888-3XX | 3/16 | .262 ± .010 | .076 | .060 ±.004 | .183 ±.005 |
| 888-4XX | 1/4 | .334 ± .010 | .117 | .096 ±.005 | .236 ±.006 |





Kurv-Bak™

Hard Rubber
Back-up Rings



1/16" Nominal Cross Section

| Size | Nominal | | Actual I.D. | (Ref) O.D |
|---------|---------|--------|----------------|--------------|
| | ID | OD | | |
| 888-005 | 7/64 | 15/64 | .127 ±.005 | .233 |
| 888-006 | 1/8 | 1/4 | .140 | .246 |
| 888-007 | 5/32 | 9/32 | .171 | .277 |
| 888-008 | 3/16 | 5/16 | .202 | .308 |
| 888-009 | 7/32 | 11/32 | .234 | .340 |
| 888-010 | 1/4 | 3/8 | .265 | .371 |
| 888-011 | 5/16 | 7/16 | .327 | .433 |
| 888-012 | 3/8 | 1/2 | .390 | .496 |
| 888-013 | 7/16 | 9/16 | .455 | .561 |
| 888-014 | 1/2 | 5/8 | .518 | .624 |
| 888-015 | 9/16 | 11/16 | .580 ±.007 | .686 |
| 888-016 | 5/8 | 3/4 | .643 ±.009 | .749 |
| 888-017 | 11/16 | 13/16 | .705 | .811 |
| 888-018 | 3/4 | 7/8 | .768 | .874 |
| 888-019 | 13/16 | 15/16 | .830 | .936 |
| 888-020 | 7/8 | 1 | .893 | .999 |
| 888-021 | 15/16 | 1 1/16 | .955 | 1.061 |
| 888-022 | 1 | 1 1/8 | 1.018 ±.010 | 1.124 |
| 888-023 | 1 1/16 | 1 3/16 | 1.080 | 1.186 |
| 888-024 | 1 1/8 | 1 1/4 | 1.143 | 1.249 |
| 888-025 | 1 3/16 | 1 5/16 | 1.205 | 1.311 |
| 888-026 | 1 1/4 | 1 3/8 | 1.268 | 1.374 |
| 888-027 | 1 5/16 | 1 7/16 | 1.330 | 1.436 |
| 888-028 | 1 3/8 | 1 1/2 | 1.393 ±.013 | 1.499 |
| 888-029 | 1 1/2 | 1 5/8 | 1.518 | 1.624 |
| 888-030 | 1 5/8 | 1 3/4 | 1.643 | 1.749 |
| 888-031 | 1 3/4 | 1 7/8 | 1.768 ±.015 | 1.874 |
| 888-032 | 1 7/8 | 2 | 1.893 | 1.999 |
| 888-033 | 2 | 2 1/8 | 2.018 ±.018 | 2.124 |
| 888-034 | 2 1/8 | 2 1/4 | 2.143 | 2.249 |
| 888-035 | 2 1/4 | 2 3/8 | 2.268 | 2.374 |
| 888-036 | 2 3/8 | 2 1/2 | 2.393 | 2.499 |
| 888-037 | 2 1/2 | 2 5/8 | 2.518 | 2.624 |
| 888-038 | 2 5/8 | 2 3/4 | 2.643 ±.020 | 2.749 |
| 888-039 | 2 3/4 | 2 7/8 | 2.768 | 2.874 |
| 888-040 | 2 7/8 | 3 | 2.893 | 2.999 |
| 888-041 | 3 | 3 1/8 | 3.018 ±.024 | 3.124 |
| 888-042 | 3 1/4 | 3 3/8 | 3.268 | 3.374 |
| 888-047 | 4 1/2 | 4 5/8 | 4.518 ±.030 | 4.624 |
| 888-050 | 5 1/4 | 5 3/8 | 5.268 ±.037 | 5.374 |

Please contact Precision Associates for sizes not listed.

Precision Associates, Inc.
3800 N. Washington Ave.
Minneapolis, MN 55412

Phone: (612) 333-7464
Fax: (612) 342-2417
Toll: (800) 394-6590

www.PrecisionAssoc.com



Kurv-Bak™

Hard Rubber
Back-up Rings



3/32" Nominal Cross Section

| Size | Nominal | | Actual I.D. | (Ref) O.D |
|---------|---------|---------|----------------|--------------|
| | ID | OD | | |
| 888-103 | 3/32 | 9/32 | .109 ±.005 | .281 |
| 888-104 | 1/8 | 5/16 | .140 | .312 |
| 888-106 | 3/16 | 3/8 | .202 | .374 |
| 888-107 | 7/32 | 13/32 | .234 | .406 |
| 888-108 | 1/4 | 7/16 | .265 | .437 |
| 888-109 | 5/16 | 1/2 | .327 | .499 |
| 888-110 | 3/8 | 9/16 | .390 | .562 |
| 888-111 | 7/16 | 5/8 | .452 | .624 |
| 888-112 | 1/2 | 11/16 | .515 ±.007 | .687 |
| 888-113 | 9/16 | 3/4 | .577 | .749 |
| 888-114 | 5/8 | 13/16 | .640 | .812 |
| 888-115 | 11/16 | 7/8 | .702 ±.010 | .874 |
| 888-116 | 3/4 | 15/16 | .765 | .937 |
| 888-117 | 13/16 | 1 | .831 | 1.003 |
| 888-118 | 7/8 | 1 1/16 | .893 | 1.065 |
| 888-119 | 15/16 | 1 1/8 | .956 | 1.128 |
| 888-120 | 1 | 1 3/16 | 1.018 | 1.190 |
| 888-121 | 1 1/16 | 1 1/4 | 1.081 | 1.253 |
| 888-122 | 1 1/8 | 1 5/16 | 1.143 ±.012 | 1.315 |
| 888-123 | 1 3/16 | 1 3/8 | 1.206 | 1.378 |
| 888-124 | 1 1/4 | 1 7/16 | 1.268 | 1.440 |
| 888-125 | 1 5/16 | 1 1/2 | 1.331 | 1.503 |
| 888-126 | 1 3/8 | 1 9/16 | 1.393 | 1.565 |
| 888-127 | 1 7/16 | 1 5/8 | 1.456 | 1.628 |
| 888-128 | 1 1/2 | 1 11/16 | 1.518 ±.015 | 1.690 |
| 888-129 | 1 9/16 | 1 3/4 | 1.581 | 1.753 |
| 888-130 | 1 5/8 | 1 13/16 | 1.643 | 1.815 |
| 888-131 | 1 11/16 | 1 7/8 | 1.706 | 1.878 |
| 888-132 | 1 3/4 | 1 15/16 | 1.768 | 1.940 |
| 888-133 | 1 13/16 | 2 | 1.831 | 2.003 |
| 888-134 | 1 7/8 | 2 1/16 | 1.893 | 2.065 |
| 888-135 | 1 15/16 | 2 1/8 | 1.956 ±.018 | 2.128 |

| Size | Nominal | | Actual I.D. | (Ref) O.D |
|---------|---------|---------|----------------|--------------|
| | ID | OD | | |
| 888-136 | 2 | 2 3/16 | 2.018 ±.018 | 2.190 |
| 888-137 | 2 1/16 | 2 1/4 | 2.081 | 2.253 |
| 888-138 | 2 1/8 | 2 5/16 | 2.143 | 2.315 |
| 888-139 | 2 3/16 | 2 3/8 | 2.206 ±.020 | 2.378 |
| 888-140 | 2 1/4 | 2 7/16 | 2.268 | 2.440 |
| 888-141 | 2 5/16 | 2 1/2 | 2.331 | 2.503 |
| 888-142 | 2 3/8 | 2 9/16 | 2.393 | 2.565 |
| 888-143 | 2 7/16 | 2 5/8 | 2.456 | 2.628 |
| 888-144 | 2 1/2 | 2 11/16 | 2.518 | 2.690 |
| 888-145 | 2 9/16 | 2 3/4 | 2.581 | 2.753 |
| 888-146 | 2 5/8 | 2 13/16 | 2.643 | 2.815 |
| 888-147 | 2 11/16 | 2 7/8 | 2.706 ±.024 | 2.878 |
| 888-148 | 2 3/4 | 2 15/16 | 2.768 | 2.940 |
| 888-149 | 2 13/16 | 3 | 2.831 | 3.003 |
| 888-150 | 2 7/8 | 3 1/16 | 2.893 | 3.065 |
| 888-151 | 3 | 3 3/16 | 3.018 | 3.190 |
| 888-152 | 3 1/4 | 3 7/16 | 3.268 | 3.440 |
| 888-153 | 3 1/2 | 3 11/16 | 3.518 | 3.690 |
| 888-154 | 3 3/4 | 3 15/16 | 3.768 ±.028 | 3.940 |
| 888-155 | 4 | 4 3/16 | 4.018 | 4.190 |
| 888-156 | 4 1/4 | 4 7/16 | 4.268 ±.030 | 4.440 |
| 888-157 | 4 1/2 | 4 11/16 | 4.518 | 4.690 |
| 888-158 | 4 3/4 | 4 15/16 | 4.768 | 4.940 |
| 888-159 | 5 | 5 3/16 | 5.018 ±.037 | 5.190 |
| 888-161 | 5 1/4 | 5 7/16 | 5.518 | 5.690 |
| 888-162 | 5 1/2 | 5 15/16 | 5.768 | 5.940 |
| 888-163 | 6 | 6 3/16 | 6.018 | 6.190 |
| 888-164 | 6 1/4 | 6 7/16 | 6.268 ±.040 | 6.440 |
| 888-166 | 6 3/4 | 6 15/16 | 6.768 | 6.940 |
| 888-167 | 7 | 7 3/16 | 7.018 | 7.190 |
| 888-168 | 7 1/4 | 7 7/16 | 7.268 ±.045 | 7.440 |

Please contact Precision Associates for sizes not listed.



Kurv-Bak™

Hard Rubber
Back-up Rings



1/8" Nominal Cross Section

| Size | Nominal | | Actual (Ref) | |
|---------|---------|---------|--------------|-------|
| | ID | OD | I.D. | O.D |
| 888-201 | 3/16 | 7/16 | .202 ±.005 | .438 |
| 888-202 | 1/4 | 1/2 | .265 | .501 |
| 888-203 | 5/16 | 9/16 | .327 | .563 |
| 888-204 | 3/8 | 5/8 | .390 | .626 |
| 888-205 | 7/16 | 11/16 | .455 | .691 |
| 888-206 | 1/2 | 3/4 | .518 | .754 |
| 888-207 | 9/16 | 13/16 | .580 ±.007 | .816 |
| 888-208 | 5/8 | 7/8 | .643 ±.009 | .879 |
| 888-209 | 11/16 | 15/16 | .705 | .941 |
| 888-210 | 3/4 | 1 | .766 ±.010 | 1.002 |
| 888-211 | 13/16 | 1 1/16 | .828 | 1.064 |
| 888-212 | 7/8 | 1 1/8 | .891 | 1.127 |
| 888-213 | 15/16 | 1 3/16 | .953 | 1.189 |
| 888-214 | 1 | 1 1/4 | 1.016 | 1.252 |
| 888-215 | 1 1/16 | 1 5/16 | 1.078 | 1.314 |
| 888-216 | 1 1/8 | 1 3/8 | 1.141 ±.012 | 1.377 |
| 888-217 | 1 3/16 | 1 7/16 | 1.203 | 1.439 |
| 888-218 | 1 1/4 | 1 1/2 | 1.266 | 1.502 |
| 888-219 | 1 5/16 | 1 9/16 | 1.334 | 1.570 |
| 888-220 | 1 3/8 | 1 5/8 | 1.397 | 1.633 |
| 888-221 | 1 7/16 | 1 11/16 | 1.459 | 1.695 |
| 888-222 | 1 1/2 | 1 3/4 | 1.522 ±.015 | 1.758 |
| 888-223 | 1 5/8 | 1 7/8 | 1.647 | 1.883 |
| 888-224 | 1 3/4 | 2 | 1.772 | 2.008 |
| 888-225 | 1 7/8 | 2 1/8 | 1.897 ±.018 | 2.133 |
| 888-226 | 2 | 2 1/4 | 2.022 | 2.258 |
| 888-227 | 2 1/8 | 2 3/8 | 2.147 | 2.383 |
| 888-228 | 2 1/4 | 2 1/2 | 2.272 ±.020 | 2.508 |
| 888-229 | 2 3/8 | 2 5/8 | 2.397 | 2.633 |
| 888-230 | 2 1/2 | 2 3/4 | 2.522 | 2.758 |
| 888-231 | 2 5/8 | 2 7/8 | 2.631 | 2.867 |
| 888-232 | 2 3/4 | 3 | 2.756 ±.024 | 2.992 |
| 888-233 | 2 7/8 | 3 1/8 | 2.881 | 3.117 |
| 888-234 | 3 | 3 1/4 | 3.006 | 3.242 |
| 888-235 | 3 1/8 | 3 3/8 | 3.131 | 3.367 |
| 888-236 | 3 1/4 | 3 1/2 | 3.256 | 3.492 |
| 888-237 | 3 3/8 | 3 5/8 | 3.381 | 3.617 |
| 888-238 | 3 1/2 | 3 3/4 | 3.506 | 3.742 |
| 888-239 | 3 5/8 | 3 7/8 | 3.631 ±.028 | 3.867 |

| Size | Nominal | | Actual (Ref) | |
|---------|---------|--------|--------------|--------|
| | ID | OD | I.D. | O.D |
| 888-240 | 3 3/4 | 4 | 3.756 ±.028 | 3.992 |
| 888-241 | 3 7/8 | 4 1/8 | 3.881 | 4.117 |
| 888-242 | 4 | 4 1/4 | 4.006 | 4.242 |
| 888-243 | 4 1/8 | 4 3/8 | 4.131 | 4.367 |
| 888-244 | 4 1/4 | 4 1/2 | 4.256 ±.030 | 4.492 |
| 888-245 | 4 3/8 | 4 5/8 | 4.381 | 4.617 |
| 888-246 | 4 1/2 | 4 3/4 | 4.506 | 4.742 |
| 888-247 | 4 5/8 | 4 7/8 | 4.631 | 4.867 |
| 888-248 | 4 3/4 | 5 | 4.768 | 5.004 |
| 888-249 | 4 7/8 | 5 1/8 | 4.893 ±.035 | 5.129 |
| 888-250 | 5 | 5 1/4 | 5.018 | 5.254 |
| 888-251 | 5 1/8 | 5 3/8 | 5.143 | 5.379 |
| 888-252 | 5 1/4 | 5 1/2 | 5.268 | 5.504 |
| 888-253 | 5 3/8 | 5 5/8 | 5.393 | 5.629 |
| 888-254 | 5 1/2 | 5 3/4 | 5.518 | 5.754 |
| 888-255 | 5 5/8 | 5 7/8 | 5.643 | 5.879 |
| 888-256 | 5 3/4 | 6 | 5.768 | 6.004 |
| 888-257 | 5 7/8 | 6 1/8 | 5.893 | 6.129 |
| 888-258 | 6 | 6 1/4 | 6.018 | 6.254 |
| 888-259 | 6 1/4 | 6 1/2 | 6.268 ±.040 | 6.504 |
| 888-260 | 6 1/2 | 6 3/4 | 6.518 | 6.754 |
| 888-261 | 6 3/4 | 7 | 6.768 | 7.004 |
| 888-262 | 7 | 7 1/4 | 7.018 | 7.254 |
| 888-263 | 7 1/4 | 7 1/2 | 7.268 ±.045 | 7.504 |
| 888-264 | 7 1/2 | 7 3/4 | 7.518 | 7.754 |
| 888-265 | 7 3/4 | 8 | 7.768 | 8.004 |
| 888-266 | 8 | 8 1/4 | 8.018 | 8.254 |
| 888-267 | 8 1/4 | 8 1/2 | 8.268 ±.050 | 8.504 |
| 888-268 | 8 1/2 | 8 3/4 | 8.518 | 8.754 |
| 888-269 | 8 3/4 | 9 | 8.768 | 9.004 |
| 888-271 | 9 1/4 | 9 1/2 | 9.268 ±.055 | 9.504 |
| 888-272 | 9 1/2 | 9 3/4 | 9.518 | 9.754 |
| 888-273 | 9 3/4 | 10 | 9.768 | 10.004 |
| 888-274 | 10 | 10 1/4 | 10.018 | 10.254 |
| 888-275 | 10 1/2 | 10 3/4 | 10.518 | 10.754 |
| 888-276 | 11 | 11 1/4 | 11.018 ±.065 | 11.254 |
| 888-278 | 12 | 12 1/2 | 12.018 | 12.254 |
| 888-279 | 13 | 13 1/2 | 13.018 | 13.254 |
| 888-281 | 15 | 15 1/2 | 15.018 ±.070 | 15.254 |

Please contact Precision Associates for sizes not listed.

Precision Associates, Inc.
3800 N. Washington Ave.
Minneapolis, MN 55412

Phone: (612) 333-7464
Fax: (612) 342-2417
Toll: (800) 394-6590

www.PrecisionAssoc.com



Kurv-Bak™

Hard Rubber
Back-up Rings



3/16" Nominal Cross Section

| Size | Nominal | | Actual I.D. | (Ref) O.D |
|---------|---------|---------|----------------|--------------|
| | ID | OD | | |
| 888-310 | 1/2 | 7/8 | .513 ±.005 | .879 |
| 888-312 | 5/8 | 1 | .638 ±.009 | 1.004 |
| 888-314 | 3/4 | 1 1/8 | .763 ±.010 | 1.129 |
| 888-315 | 13/16 | 1 3/16 | .825 | 1.191 |
| 888-316 | 7/8 | 1 1/2 | .888 | 1.254 |
| 888-317 | 15/16 | 1 5/16 | .950 | 1.316 |
| 888-318 | 1 | 1 3/8 | 1.013 | 1.379 |
| 888-319 | 1 1/16 | 1 7/16 | 1.075 | 1.441 |
| 888-320 | 1 1/8 | 1 1/2 | 1.138 ±.012 | 1.504 |
| 888-321 | 1 3/16 | 1 9/16 | 1.200 | 1.566 |
| 888-322 | 1 1/4 | 1 5/8 | 1.263 | 1.629 |
| 888-323 | 1 5/16 | 1 11/16 | 1.316 | 1.682 |
| 888-324 | 1 3/8 | 1 3/4 | 1.388 | 1.754 |
| 888-325 | 1 1/2 | 1 7/8 | 1.513 ±.015 | 1.879 |
| 888-326 | 1 5/8 | 2 | 1.638 | 2.004 |
| 888-327 | 1 3/4 | 2 1/8 | 1.763 | 2.129 |
| 888-328 | 1 7/8 | 2 1/4 | 1.888 | 2.254 |
| 888-329 | 2 | 2 3/8 | 2.013 | 2.379 |
| 888-330 | 2 1/8 | 2 1/2 | 2.138 | 2.504 |
| 888-331 | 2 1/4 | 2 5/8 | 2.268 | 2.634 |
| 888-332 | 2 3/8 | 2 3/4 | 2.393 | 2.759 |
| 888-333 | 2 1/2 | 2 7/8 | 2.518 ±.020 | 2.884 |
| 888-334 | 2 5/8 | 3 | 2.643 | 3.009 |
| 888-335 | 2 3/4 | 3 1/8 | 2.768 | 3.134 |
| 888-336 | 2 7/8 | 3 1/4 | 2.893 | 3.259 |
| 888-337 | 3 | 3 3/8 | 3.018 ±.024 | 3.384 |
| 888-338 | 3 1/8 | 3 1/2 | 3.143 | 3.509 |
| 888-339 | 3 1/4 | 3 5/8 | 3.273 | 3.639 |
| 888-340 | 3 3/8 | 3 3/4 | 3.398 | 3.764 |
| 888-341 | 3 1/2 | 3 7/8 | 3.523 | 3.889 |
| 888-342 | 3 5/8 | 4 | 3.648 ±.028 | 4.014 |
| 888-343 | 3 3/4 | 4 1/8 | 3.773 | 4.139 |
| 888-344 | 3 7/8 | 4 1/4 | 3.898 | 4.264 |
| 888-345 | 4 | 4 3/8 | 4.028 | 4.394 |

| Size | Nominal | | Actual I.D. | (Ref) O.D |
|---------|---------|--------|----------------|--------------|
| | ID | OD | | |
| 888-346 | 4 1/8 | 4 1/2 | 4.153 ±.028 | 4.519 |
| 888-347 | 4 1/4 | 4 5/8 | 4.278 ±.030 | 4.644 |
| 888-348 | 4 3/8 | 4 3/4 | 4.403 | 4.769 |
| 888-349 | 4 1/2 | 4 7/8 | 4.528 | 4.894 |
| 888-350 | 4 5/8 | 5 | 4.653 | 5.019 |
| 888-351 | 4 3/4 | 5 1/8 | 4.778 | 5.144 |
| 888-352 | 4 7/8 | 5 1/4 | 4.903 ±.037 | 5.269 |
| 888-353 | 5 | 5 3/8 | 5.028 | 5.394 |
| 888-354 | 5 1/8 | 5 1/2 | 5.153 | 5.519 |
| 888-355 | 5 1/4 | 5 5/8 | 5.278 | 5.644 |
| 888-356 | 5 3/8 | 5 3/4 | 5.403 | 5.769 |
| 888-357 | 5 1/2 | 5 7/8 | 5.528 | 5.894 |
| 888-358 | 5 5/8 | 6 | 5.653 | 6.019 |
| 888-359 | 5 3/4 | 6 1/8 | 5.778 | 6.144 |
| 888-360 | 5 7/8 | 6 1/4 | 5.903 | 6.269 |
| 888-361 | 6 | 6 3/8 | 6.028 | 6.394 |
| 888-362 | 6 1/4 | 6 5/8 | 6.278 ±.040 | 6.644 |
| 888-363 | 6 1/2 | 6 7/8 | 6.528 | 6.894 |
| 888-364 | 6 3/4 | 7 1/8 | 6.778 | 7.144 |
| 888-365 | 7 | 7 3/8 | 7.028 | 7.394 |
| 888-367 | 7 1/2 | 7 7/8 | 7.528 ±.045 | 7.894 |
| 888-368 | 7 3/4 | 8 1/8 | 7.778 | 8.144 |
| 888-369 | 8 | 8 3/8 | 8.028 | 8.394 |
| 888-370 | 8 1/4 | 8 5/8 | 8.278 ±.050 | 8.644 |
| 888-371 | 8 1/2 | 8 7/8 | 8.528 | 8.894 |
| 888-372 | 8 3/4 | 9 1/8 | 8.778 | 9.145 |
| 888-374 | 9 1/4 | 9 5/8 | 9.278 ±.055 | 9.644 |
| 888-379 | 11 | 11 3/8 | 11.028 ±.060 | 11.394 |
| 888-380 | 11 1/2 | 11 7/8 | 11.528 ±.065 | 11.894 |
| 888-382 | 13 | 13 3/8 | 13.028 | 13.394 |
| 888-383 | 14 | 14 3/8 | 14.028 ±.070 | 14.341 |
| 888-384 | 15 | 15 3/8 | 15.028 | 15.394 |
| 888-385 | 16 | 16 3/8 | 16.008 | 16.374 |
| 888-392 | 23 | 23 3/8 | 22.993 ±.105 | 23.359 |

Please contact Precision Associates for sizes not listed.



Kurv-Bak™

Hard Rubber
Back-up Rings



1/4" Nominal Cross Section

| Size | Nominal | | Actual (Ref) | |
|---------|---------|-------|--------------|-------|
| | ID | OD | I.D. | O.D |
| 888-402 | 1 5/8 | 2 1/8 | 1.659 ±.015 | 2.131 |
| 888-403 | 1 3/4 | 2 1/4 | 1.784 | 2.256 |
| 888-404 | 1 7/8 | 2 3/8 | 1.909 | 2.381 |
| 888-405 | 2 | 2 1/2 | 2.034 ±.018 | 2.506 |
| 888-409 | 2 1/2 | 3 | 2.534 ±.020 | 3.006 |
| 888-413 | 3 | 3 1/2 | 3.034 ±.024 | 3.506 |
| 888-415 | 3 1/4 | 3 3/4 | 3.294 | 3.766 |
| 888-417 | 3 1/2 | 4 | 3.544 | 4.016 |
| 888-421 | 4 | 4 1/2 | 4.044 ±.028 | 4.516 |
| 888-422 | 4 1/8 | 4 5/8 | 4.169 | 4.641 |
| 888-423 | 4 1/4 | 4 3/4 | 4.294 ±.030 | 4.766 |
| 888-424 | 4 3/8 | 4 7/8 | 4.419 | 4.891 |
| 888-425 | 4 1/2 | 5 | 4.551 ±.033 | 5.023 |
| 888-426 | 4 5/8 | 5 1/8 | 4.676 | 5.148 |
| 888-427 | 4 3/4 | 5 1/4 | 4.801 | 5.273 |
| 888-428 | 4 7/8 | 5 3/8 | 4.926 | 5.398 |
| 888-429 | 5 | 5 1/2 | 5.051 ±.037 | 5.523 |
| 888-430 | 5 1/8 | 5 5/8 | 5.176 | 5.648 |
| 888-431 | 5 1/4 | 5 3/4 | 5.301 | 5.773 |
| 888-432 | 5 3/8 | 5 7/8 | 5.426 | 5.898 |
| 888-433 | 5 1/2 | 6 | 5.551 | 6.023 |
| 888-434 | 5 5/8 | 6 1/8 | 5.676 | 6.148 |
| 888-435 | 5 3/4 | 6 1/4 | 5.801 | 6.273 |
| 888-436 | 5 7/8 | 6 3/8 | 5.926 | 6.398 |
| 888-437 | 6 | 6 1/2 | 6.051 | 6.523 |
| 888-438 | 6 1/4 | 6 3/4 | 6.274 ±.040 | 6.746 |
| 888-439 | 6 1/2 | 7 | 6.524 | 6.996 |
| 888-440 | 6 3/4 | 7 1/4 | 6.774 | 7.246 |
| 888-441 | 7 | 7 1/2 | 7.024 | 7.496 |
| 888-442 | 7 1/4 | 7 3/4 | 7.274 ±.045 | 7.746 |

| Size | Nominal | | Actual (Ref) | |
|---------|---------|--------|--------------|--------|
| | ID | OD | I.D. | O.D |
| 888-443 | 7 1/2 | 8 | 7.524 ±.045 | 7.996 |
| 888-444 | 7 3/4 | 8 1/4 | 7.774 | 8.246 |
| 888-445 | 8 | 8 1/2 | 8.024 | 8.496 |
| 888-446 | 8 1/2 | 9 | 8.524 ±.055 | 8.996 |
| 888-447 | 9 | 9 1/2 | 9.024 | 9.496 |
| 888-448 | 9 1/2 | 10 | 9.524 | 9.996 |
| 888-449 | 10 | 10 1/2 | 10.024 | 10.496 |
| 888-450 | 10 1/2 | 11 | 10.524 ±.060 | 10.996 |
| 888-451 | 11 | 11 1/2 | 11.024 | 11.496 |
| 888-452 | 11 1/2 | 12 | 11.524 | 11.996 |
| 888-453 | 12 | 12 1/2 | 12.024 | 12.496 |
| 888-454 | 12 1/2 | 13 | 12.524 | 12.996 |
| 888-455 | 13 | 13 1/2 | 13.024 | 13.496 |
| 888-456 | 13 1/2 | 14 | 13.524 ±.070 | 13.996 |
| 888-457 | 14 | 14 1/2 | 14.024 | 14.496 |
| 888-458 | 14 1/2 | 15 | 14.524 | 14.996 |
| 888-459 | 15 | 15 1/2 | 15.024 | 15.496 |
| 888-460 | 15 1/2 | 16 | 15.524 | 15.996 |
| 888-461 | 16 | 16 1/2 | 16.004 ±.075 | 16.476 |
| 888-462 | 16 1/2 | 17 | 16.504 | 16.976 |
| 888-463 | 17 | 17 1/2 | 17.004 ±.080 | 17.476 |
| 888-464 | 17 1/2 | 18 | 17.504 ±.085 | 17.976 |
| 888-465 | 18 | 18 1/2 | 18.004 | 18.476 |
| 888-466 | 18 1/2 | 19 | 18.504 | 18.976 |
| 888-467 | 19 | 19 1/2 | 19.004 ±.090 | 19.476 |
| 888-468 | 19 1/2 | 20 | 19.504 | 19.976 |
| 888-469 | 20 | 20 1/2 | 20.004 | 20.476 |
| 888-470 | 21 | 21 1/2 | 21.004 | 21.476 |
| 888-471 | 22 | 22 1/2 | 22.004 ±.100 | 22.476 |

Please contact Precision Associates for sizes not listed.



3800 North Washington Ave.
Minneapolis, MN 55412-2142

Toll Free: **1-800-394-6590**

612-333-7464

Sales: **612-334-9190**

FAX: **612-342-2417**

info@PrecisionAssoc.com

Ask us about our complete line of product literature:

- *Standard O-Rings*
- *Special Size O-Rings*
- *U-Cups*
- *V-Rings*
- *Rod Wipers*
- *X-Rings*
- *8-Rings™*
- *Multiseal® Low Friction Seals*
- *Kurv-Bak™ Hard Rubber Backup Rings*
- *Rubber Balls*
- *Medical Seals*
- *Custom Moldings*

After 58 years in the rubber business, we've learned to be flexible. We'll bend over backwards to design custom solutions that meet your needs *precisely*. PAI is the company you can trust for rubber seal solutions YOUR WAY!

- **Over 1,000 different compounds**
- **More than 2,500 O-Ring Sizes**
- **On-Site Mold Shop**
- **Custom Molding**
- **99% on-time delivery**
- **ISO 14644-1 Class 7 Clean Room**