



V-Rings





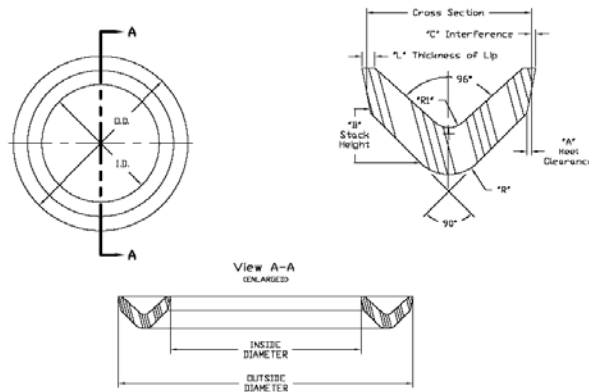
V-Rings



Precision Associates V-Rings are designed in accordance with drawing AN 6225. Sizes exactly matching the drawing are noted with prefix number 6225 and suffix numbers of -1 thru -80. PAI has produced additional sizes of V-Rings using similar design dimensions. They are listed here as well.

Buna N compounds 5747 (70 durometer) and 5939 (90 durometer) are our standard material for V-Rings, but we routinely mold them in Fluoroelastomers, EPDM, as well as specialty materials.

The table on the following page contains sizes on which we are already tooled. Please contact us for additional sizes.



	Cross Section Groups					
	I	II	III	IV	V	VI
Dash Numbers	-1 to -7	-8 to -24	-25 to -35	-36 to -47	-48 to -55	-56 to -80
Nominal Width	3/16	1/4	5/16	3/8	7/16	1/2
Cross Section	.191	.253	.316	.379	.442	.505
A (Reference)	.006	.006	.007	.009	.010	.010
B ± .010	.083	.083	.140	.158	.197	.197
"C" Maximum	.013	.011	.023	.029	.036	.031
"C" Minimum	.009	.008	.017	.022	.029	.025
"R"	1/16	1/16	7/64	1/8	5/32	5/32
"R1"	1/32	1/32	3/64	3/64	1/16	1/16
"L" Maximum	.020	.020	.035	.035	.035	.035
"L" Minimum	.005	.005	.005	.005	.005	.005



V-Rings



Size	Nominal		C/S
	I.D	O.D	
6225-1	1/8	1/2	3/16
6225-2	3/16	9/16	
6225-3	1/4	5/8	
6225-4	5/16	11/16	
6225-5	3/8	3/4	
6225-6	7/16	13/16	
6225-7	1/2	7/8	
6225-8	1/4	3/4	1/4
6225-9	5/16	13/16	
6225-10	3/8	7/8	
6225-11	7/16	15/16	
6225-12	1/2	1	
6225-13	9/16	1 1/16	
6225-14	5/8	1 1/8	
6225-15	11/16	1 3/16	
6225-16	3/4	1 1/4	
6225-17	13/16	1 5/16	
6225-18	7/8	1 3/8	
6225-20	1	1 1/2	
6225-22	1 1/8	1 5/8	
6225-23	1 3/16	1 11/16	
6225-24	1 1/4	1 3/4	
6225-401	1 1/2	2	
6225-405	2	2 1/2	
6225-409	2 1/2	3	
652-410	2 5/8	3 1/8	

Size	Nominal		C/S
	I.D	O.D	
6225-25	1 1/4	1 7/8	5/16
6225-26	1 3/8	2	
6225-27	1 1/2	2 1/8	
6225-28	1 5/8	2 1/4	
6225-29	1 3/4	2 3/8	
6225-30	1 7/8	2 1/2	
6225-31	2	2 5/8	
6225-33	2 1/4	2 7/8	
6225-34	2 3/8	3	
6225-35	2 1/2	3 1/8	
6225-36	2 1/2	3 1/4	3/8
6225-37	2 5/8	3 3/8	
6225-38	2 3/4	3 1/2	
6225-40	3	3 3/4	
6225-42	3 1/4	4	
6225-43	3 3/8	4 1/8	
6225-44	3 1/2	4 1/4	7/16
6225-45	3 5/8	4 3/8	
6225-46	3 3/4	4 1/2	
6225-49	4	4 7/8	1/2
6225-50	4 1/4	5 1/8	
6225-51	4 1/5	5 3/8	
6225-57	5 3/4	6 3/4	
6225-78	14	15	

Please contact Precision Associates for sizes not listed.



740 North Washington Ave.
Minneapolis, MN 55401-1188

Toll Free: **1-800-394-6590**

612-333-7464

Sales: **612-334-9190**

FAX: **612-342-2417**

info@PrecisionAssoc.com

Ask us about our complete line of product literature:

- *Standard O-Rings*
- *Special Size O-Rings*
- *U-Cups*
- *V-Rings*
- *Rod Wipers*
- *X-Rings*
- *Multiseal[®] Low Friction Seals*
- *Kurv-Bak[™] Hard Rubber Backup Rings*
- *Rubber Balls*
- *Custom Moldings*

After 50 years in the rubber business, we've learned to be flexible. We'll bend over backwards to design custom solutions that meet your needs *precisely*. PAI is the company you can trust for rubber seal solutions YOUR WAY!

- Over 900 different compounds
- More than 2,000 O-Ring Sizes
- In-house tooling
- Custom Molding
- 98% on-time delivery