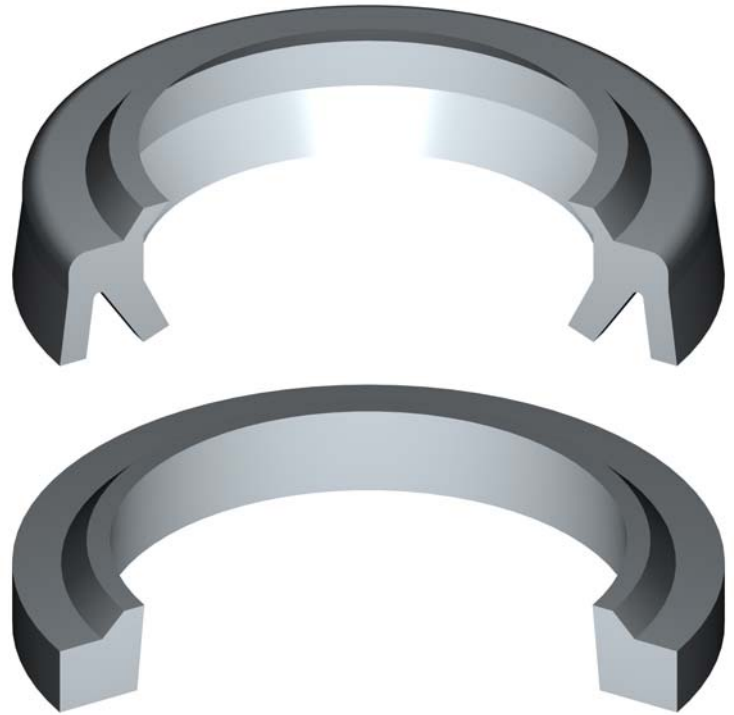




Wipers

H-Wipers
Rod Wipers





Wipers

H-Wipers



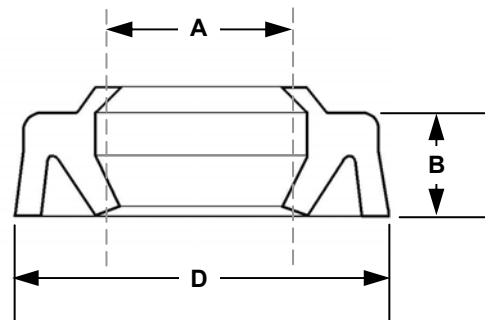
Precision Associates manufactures 2 popular style of Rod Wipers as well as a series of "H" Wipers.

Our first line of rod wipers is made to comply exactly with Military Drawing AN 28776. These wipers are commonly referred to as "AN" Style. We also make another series with a slightly heavier profile. Most noticeable is the Base Thickness. These wipers are referred to as the "Linear" Style. Both of these styles of Rod Wipers are available as a standard in our compound 5939, a 90 Durometer Nitrile (Buna N). They can also be molded in most of our other 900+ compounds. The sizes we are currently tooled for are listed on the following page. Please contact Precision Associates for sizes not listed.

Precision Associates H-Wipers combine a wiping lip with a U-Cup base. These special wiper/seals are used as a primary or secondary seal in pneumatic and other applications. H-Wipers are available as a standard in our compound 3847, an 80 Durometer Nitrile (Buna N). They can also be made in most of our other 900+ compounds. The sizes we are currently tooled on are listed below. Please contact Precision Associates for sizes not listed.

H Wipers

Size	"A" Rod Diameter	"B" Base Thickness	"D" Outside Diameter
860-0025	1/4	.194	9/16
860-0031	5/16		5/8
860-0037	3/8		11/16
860-0043	7/16		3/4
860-0050	1/2		13/16
860-0062	5/8		15/16
860-0075	3/4		1
860-0100	1	.212	1 3/8
860-0106	1 1/16		1 7/16
860-0125	1 1/4		1 5/8
860-0137	1 3/8		1 3/4
860-0150	1 1/2		1 7/8
860-0175	1 3/4		2 1/8
860-0200	2		2 3/8
860-0250	2 1/2	.275	3
860-0300	3		3 1/2
860-0325	3 1/4		3 3/4
860-0350	3 1/2		4
860-0450	4 1/2		5
860-0500	5		5 1/2
860-0875	8 3/4		9 1/4



Please Contact Precision Associates for sizes not listed.



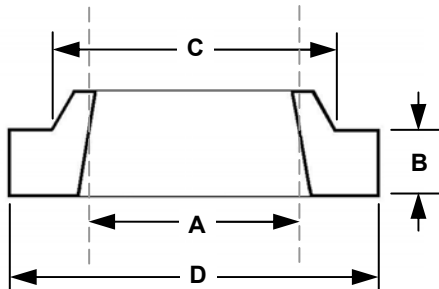
Wipers

Rod Wipers



AN Style Rod Wipers

Size	"A" Rod Diameter	"B" Base Thickness	"C" Wiper Lip O.D.	"D" Outside Diameter
776-110	3/8	.094	.492	.615
776-1	1/2		.617	.740
776-3	5/8		.742	.865
776-5	3/4		.982	.990
776-7	7/8		1.094	1.094
776-9	1		1.106	1.219
776-10	1 1/16		1.169	1.282
776-11	1 1/8		1.232	1.344
776-13	1 1/4		1.356	1.469
776-14	1 5/16		1.450	1.594
776-15	1 3/8		1.512	1.657
776-17	1 1/2		1.638	1.782
776-19	1 3/4		1.888	2.032
776-21	2		2.138	2.282
776-25	2 1/2		2.638	2.782
776-26	2 5/8		.109	2.794
776-27	2 3/4	2.919		3.094



Linear Style Rod Wipers

Size	"A" Rod Diameter	"B" Base Thickness	"C" Wiper Lip O.D.	"D" Outside Diameter
716-375	3/8	.104	.500	.622
716-500	1/2		.623	.766
716-625	5/8		.748	.891
716-750	3/4		.873	1.016
716-1.000	1		1.113	1.246
716-1.062	1 1/16		1.176	1.309
716-1.125	1 1/8		1.239	1.371
716-1.375	1 3/8		1.519	1.684
716-1.500	1 1/2		1.645	1.809
716-1.625	1 5/8		1.770	1.934
716-1.750	1 3/4		1.895	2.059
716-1.875	1 7/8		2.020	2.184
716-2.125	2 1/8		2.270	2.434
716-5.500	5 1/2		.135	5.708

Please Contact Precision Associates for sizes and styles not listed.



3800 North Washington Ave.
Minneapolis, MN 55412-2142

Toll Free: **1-800-394-6590**

612-333-7464

Sales: **612-334-9190**

FAX: **612-342-2417**

info@PrecisionAssoc.com

Ask us about our complete line of product literature:

- *Standard O-Rings*
- *Special Size O-Rings*
- *U-Cups*
- *V-Rings*
- *Rod Wipers*
- *X-Rings*
- *8-Rings™*
- *Multiseal® Low Friction Seals*
- *Kurv-Bak™ Hard Rubber Backup Rings*
- *Rubber Balls*
- *Medical Seals*
- *Custom Moldings*

After 56 years in the rubber business, we've learned to be flexible. We'll bend over backwards to design custom solutions that meet your needs *precisely*. PAI is the company you can trust for rubber seal solutions YOUR WAY!

- **Over 1,000 different compounds**
- **More than 2,300 O-Ring Sizes**
- **On-Site Mold Shop**
- **Custom Molding**
- **99% on-time delivery**
- **ISO 14644-1 Class 7 Clean Room**